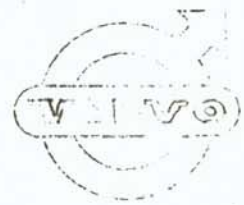


TennRich-5 W AWM 20624 80C VW-1 TennRich-5 W AWM 20624 80C VW-1 TennRich-5 W AWM 20624 80C VW-1 TennRich-5 W AWM 20624 80C VW-1 TennRich-5 W AWM 20624 80C VW-1

ISSUE 1		INDEX						GROUP 9	PAGE 1
FIGURE	QUANTITY						Volvo PART NO.	DESCRIPTION	NOTES
	180	180	180	180	180	180			
1							NPN	EVAPORATOR ASSY. For Components, See Page 2-3	
1							279932	ADAPTER KIT For Components, See Page 4-5	
1							NPN	GENERAL KIT For Components, See Page 6	
1							75590	CONDENSER KIT For Components, See Page 7	



PI800-E

Supplement for
Manual No. 84-52376
Rev. B 11/69

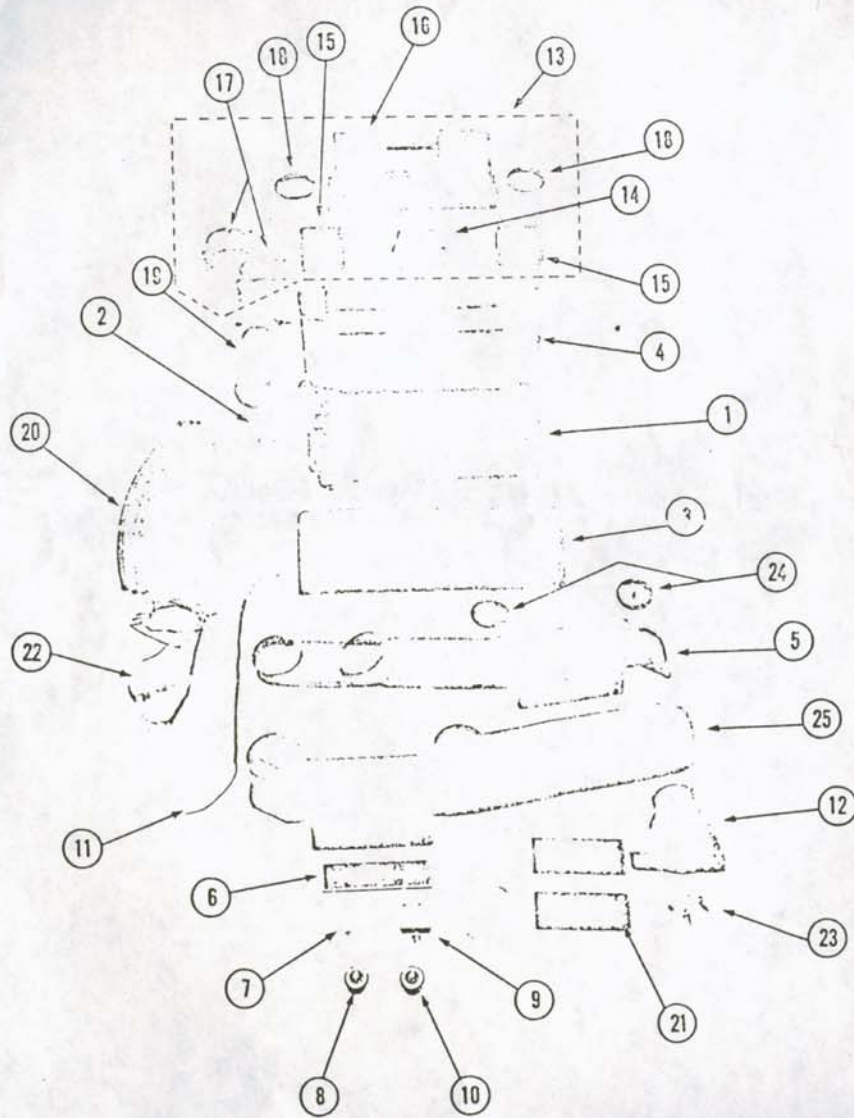
84-52376

ISSUE NO.
1

EVAPORATOR ASSEMBLY

GROUP
9

PAGE
3



PAGE 2		GROUP 9		EVAPORATOR ASSY.		ISSUE 1
FIGURE	QUANTITY			VOLVO PART NO.	DESCRIPTION	NOTES
180	1					
1	1			NPN	EVAPORATOR ASSY.	AVAIL 12/82 ✓
1	1			75593	COIL ASSY.	✓
2	1			75522	VALVE, EXP.	
1	1			75381	CLAMP, EXP. VALVE	✓
3	1			75594	CASE ASSY, FRONT	✓
1	1			75595	INSULATION, COIL	✓
4	1			75596	CASE ASSY, BACK	✓
1	1			75597	INSULATION, COIL	✓
5	1			75599	PANEL, BACK BEZEL	✓
6	1			75600	FACEPLATE, CONTROL	✓
7	1			75601	SWITCH, BLOWER	✓
1	1			75400	NUT	Superseded ✓
1	1			75523	KNOB	Superseded ✓
8	1			75509	THERMOSTAT	Superseded ✓
9	1			75400	NUT	" ✓
1	1			75523	KNOB	" ✓
10	1			75586	NAMEPLATE, VOLVO	Superseded ✓
1	1			75602	CLIP	
2	2			75404	LOUVER ASSY, 2"	Superseded ✓
24	2			75603	RESISTOR BOARD ASSY.	Superseded ✓
1	1			75604	HARNESS, AUX.	✓
11	1			75605	DUCT ASSY, AIR OUTLET	✓
12	2			75606	LOUVER BALL	✓
23	1			75607	BLOWER ASSY.	✓
13	1			75608	MOTOR	
14	1			75609	WHEEL, BLOWER	Superseded ✓
15	2			75610	HOUSING, BLOWER	
16	1			75452	MOUNT, MOTOR	
17	2			75373	RING, VENTURI	
18	2			75424	INSULATION, MOTOR MOUNT	Superseded ✓
19	2			75421	RECEIVER-DRIER	
1	1			75385	CLAMP, RECEIVER-DRIER	
20	3			75611	HOSE, DRAIN 3/8" x 15"	
21	2			75612	PLATE, MOUNTING	
1	1			75613	SACK ASSY., EVAPORATOR	
2	1			75410	CLAMP, HOSE #8	
1	1			75614	TEE DRAIN	
1	1			75615	BRACKET ASSY.	
22	1			75616	HARNESS, WIRING	
25	1			75598	BEZEL	

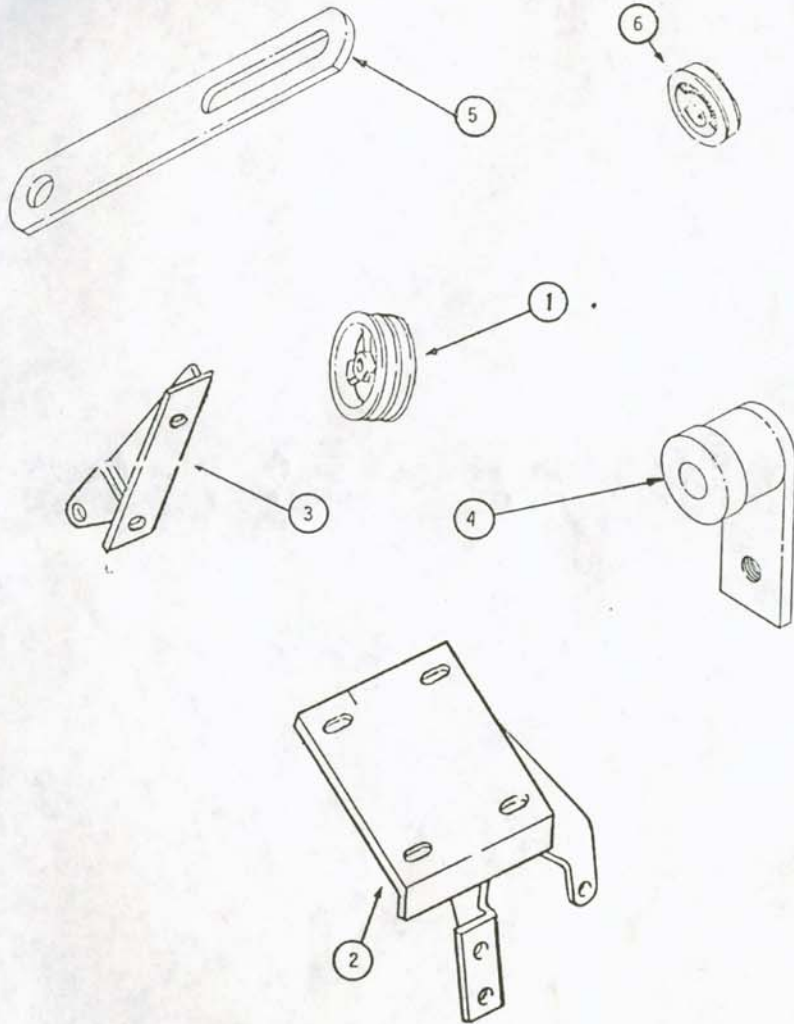


FIGURE	QUANTITY										PART NO.	DESCRIPTION	NOTES
180											279932	ADAPTER KIT	
.70											75430	. PULLEY ASSY. - DRIVE	
	1										75459	. MOUNT ASSY. - COMPRESSOR	
	2										75458	. BRACE, COMP. - CYL. HEAD	
	3										75623	. MOUNT ASSY. - IDLER	
	4										75624	. ARM, ALTERNATOR ADJ.	
	5										75625	. BELT - DRIVE	
	1										75626	. PULLEY ASSY. - IDLER	
	6										75372	. BEARING - BALL	
	1										75627	. SACK ASSY. - HARDWARE	
	1										75628	. SACK ASSY. - MISC. HARDWARE	
	1										75629	. WIRE ASSY.	
	1										75630	. WIRE ASSY.	
	1										75386	. RELAY - STARTING	

ISSUE 1		CONDENSER KIT						GROUP 9	PAGE 7
FIGURE	QUANTITY						Volvo PART NO.	DESCRIPTION	NOTES
	180-70								
1							75590	CONDENSER KIT	
1							75621	. SACK ASSY.	
2							75410	. . CLAMP - HOSE #8	
1							75534	. SACK ASSY. - B20 ENGINE	

PAGE 6		GROUP 9	GENERAL KIT				ISSUE 1		
FIGURE	QUANTITY						Volvo PART NO.	DESCRIPTION	NOTES
	180-70								
1							NPN	GENERAL KIT	
1							75439	. COMPRESSOR	
1							75518	. CLUTCH, 6.7" 12V	
1							75520	. . FIELD COIL	
1							75519	. . ROTOR ASSY.	
1							75617	. HOSE KIT	
1							75618	. . HOSE ASSY. 3/8" x 84"	
1							75619	. . HOSE 1/2" x 60" DBL BRD	
1							75620	. . HOSE 5/8" x 55"	
1							75515	. SACK ASSY.	
1							75517	. . GROMMET 1/2"	
2							75406	. . GROMMET 1"	
2							75516	. . GROMMET, SKIRT TYPE	
1							75406	. . CLAMP - TD-12	
1							75409	. . CLAMP - TD-16	
2							75410	. . CLAMP - HOSE #8	
								PLUS FIVE SHEET METAL SCREWS WITH HEX HEAD	

GENERAL KIT 48-00032

Packing List Revision "C" 5/4/65

VOLVO P-1800 and 122S

Rev.	Quantity	Part Number	Part Description
	1	60-00506	COMPRESSOR, 206
C	1	30-00266	CLUTCH, 6", 12 VOLT, 6 SPRING
C	1	61-10074	HOSE KIT Includes the following: 1/2 x 25 (1/2 F x 1/2 F) 5/8 x 48 (5/8 90° F x 5/8 M) 3/8 x 85 (1/2 F x 3/8 90° F)
C	1	61-09100	SACK ASSEMBLY Includes the following:
	1	61-09171	CLAMP, FREON HOSE
C	1	61-09439	CLAMP, FREON HOSE
	1	50-90037	GROMMET
	4	54-00189	#10 x 5/8 SMS SHWH
	4	54-00198	
	4	53-00135	
	8	50-01550	