

Volvo 1800S Wiring Diagrams

Using functional decomposition, and waterfall depiction.

Wire Colors

BK - Black
BR - Brown
BU - Blue
R - Red
G - Green
LG - Light Green
Y - Yellow
V - Violet
W - White

Top letter in a pair is the main color, bottom is the stripe. EG:

BR
Y

Brown wire, yellow stripe.

Conventions

- Round corner boxes contain the function titles, and correspond to the labels on the schematic.
- Each wiring diagram (with a couple minor and obvious exceptions) depicts one function.
- The diagrams are, to the extent practical, use a “waterfall” arrangement, with the power source at the top, and ground at the bottom.
- Ground is not shown unless there is a specific ground wire.
- Fuses are identified by the power source wire color.
- Light gray numbers under component titles correspond to the component listing on the 1968 1800 schematic.

Power Distribution

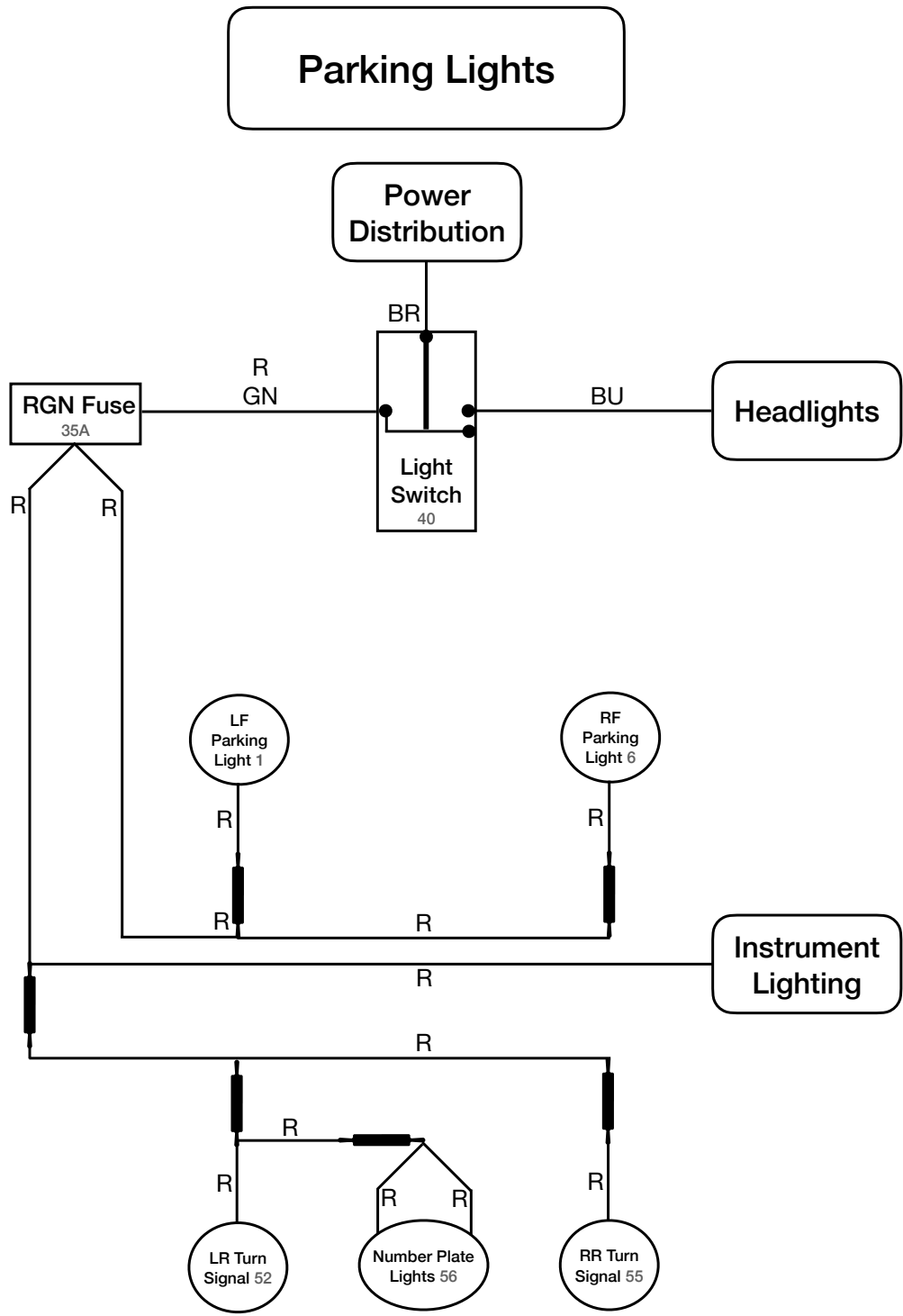
- Parking Lights
- Headlights
- Overdrive
- Instrument Lights
- Ignition

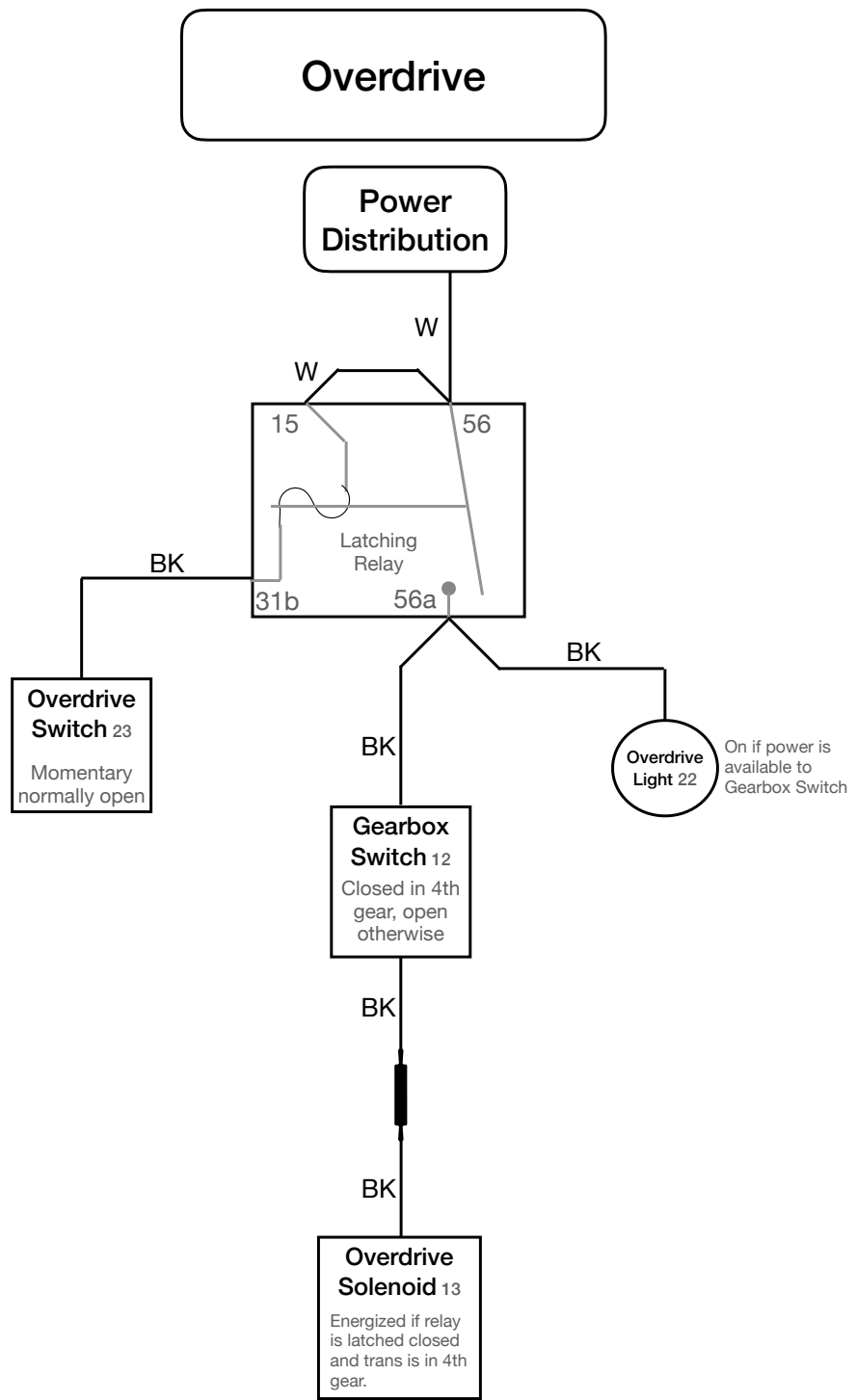
White Fuse

- Fuel Gauge/Heater
- Turn Signals
- Windscreen Wipers & Washers
- Brake Warning
- Brake Lights
- Reverse Lights
- Turn Signals

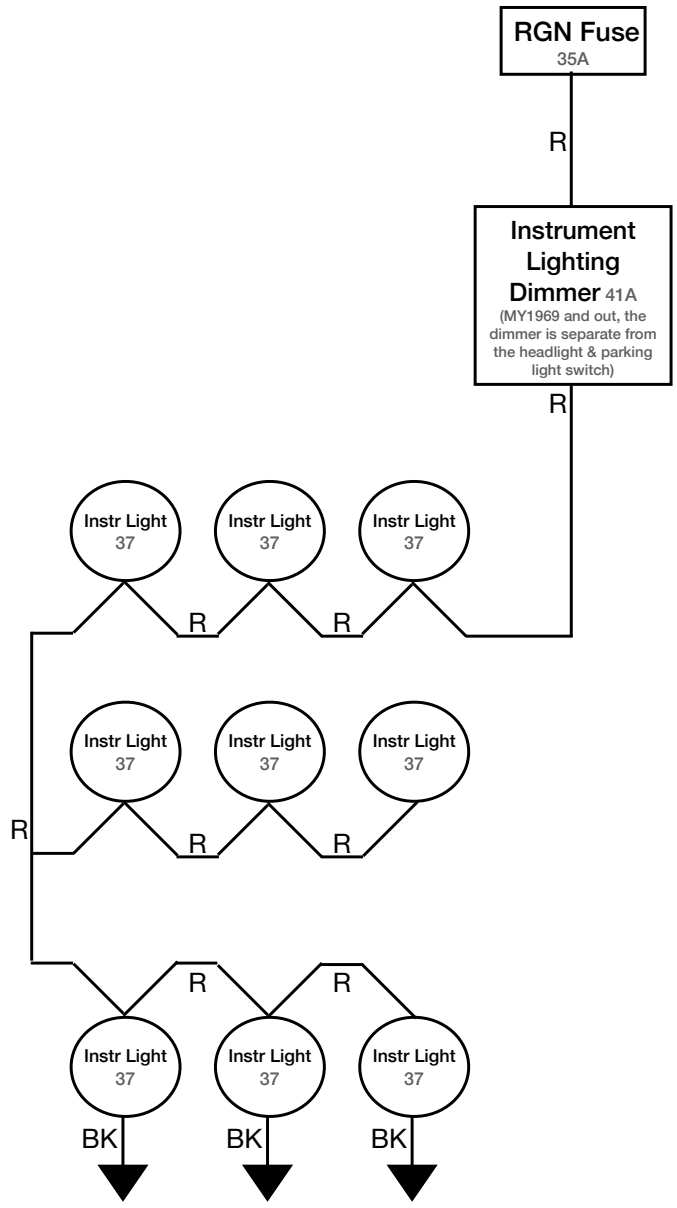
Brown Fuse

- Cigar Lighter/Map Light
- Roof Lamps
- Horns





Instrument Lighting



Ignition

Power Distribution

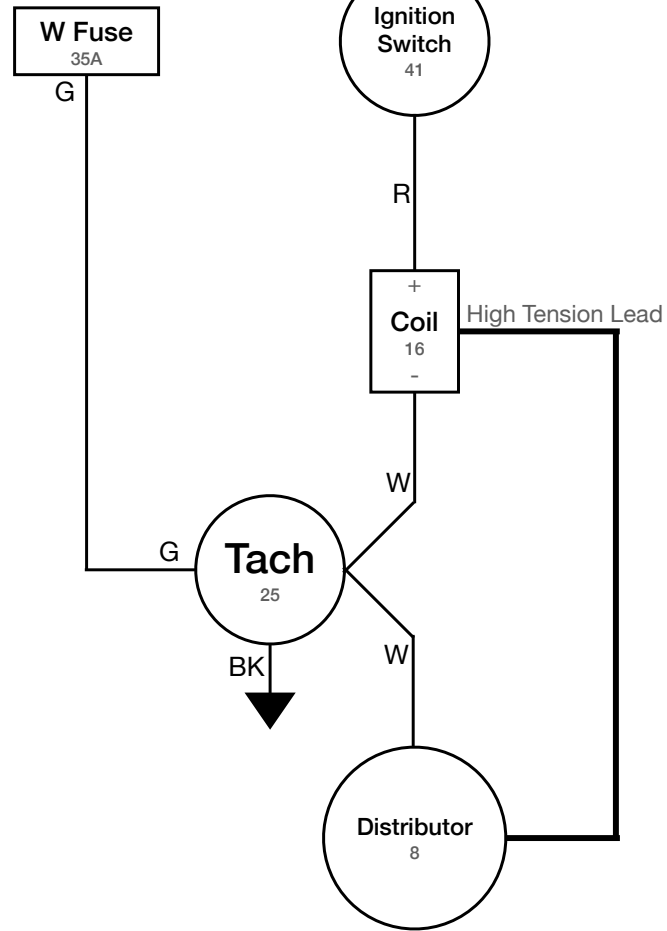
W Fuse
35A

Ignition
Switch
41

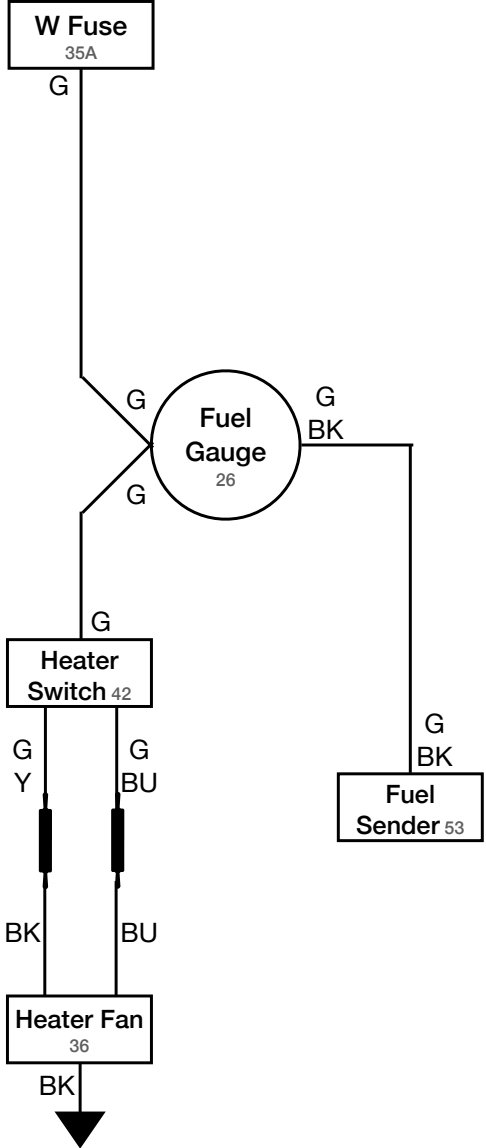
+
Coil
16
-

Tach
25

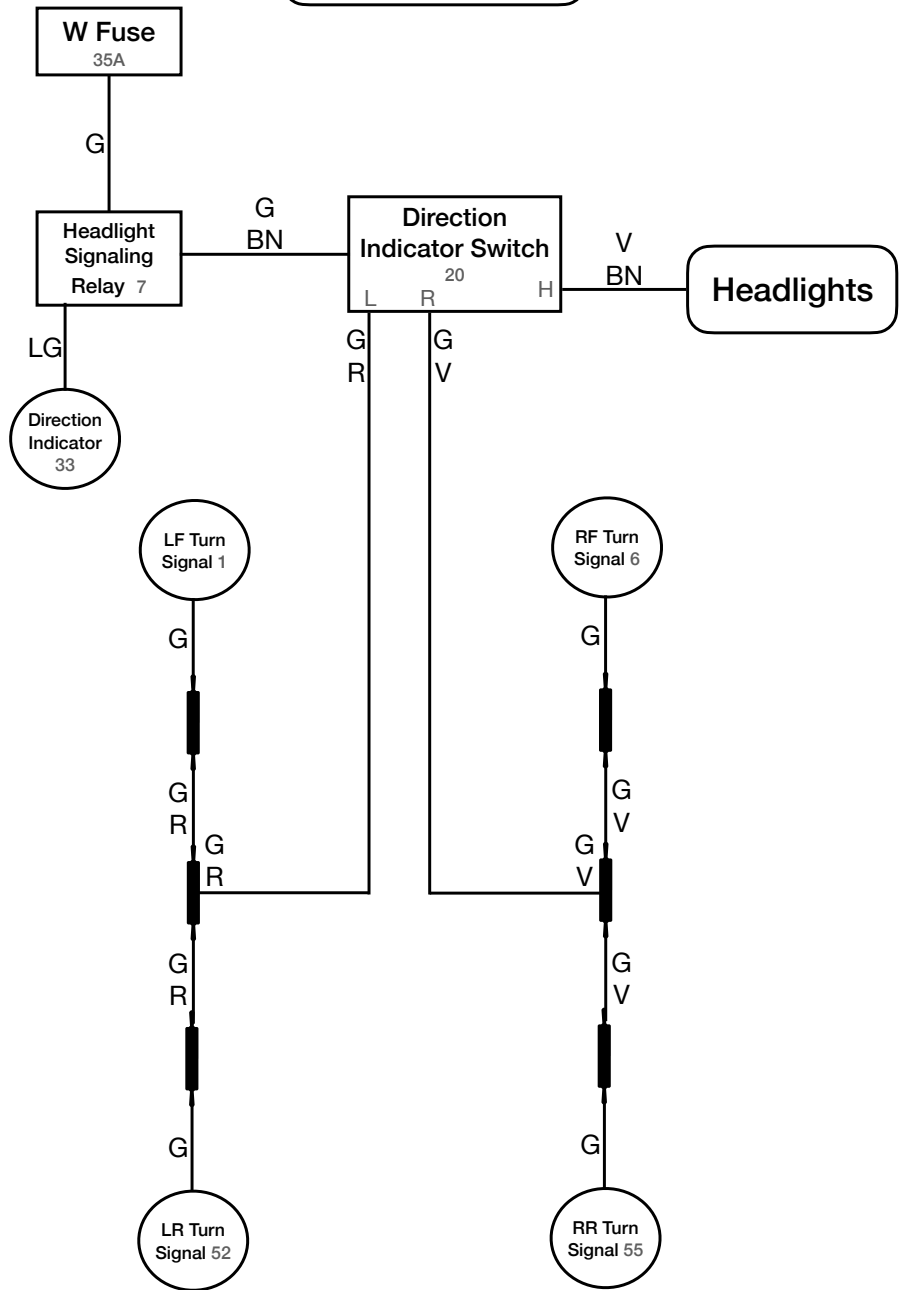
Distributor
8



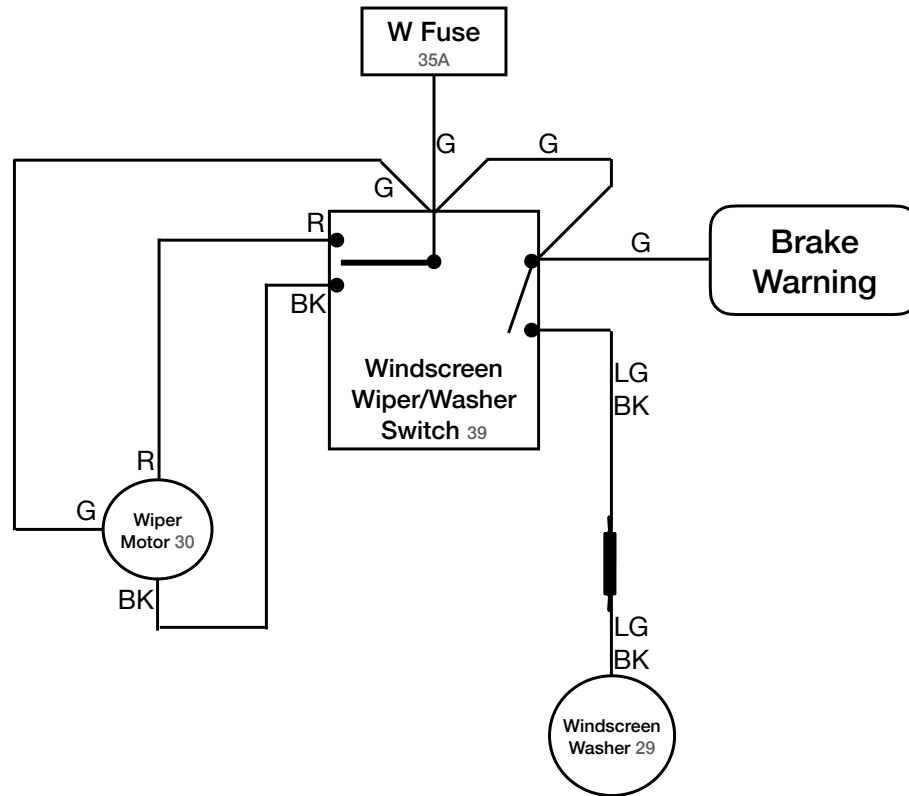
Fuel Gauge Heater



Turn Signals



Windscreen Wipers & Washers



Brake Warning

(1969 and later)

Windscreen Wipers
& Washers

G

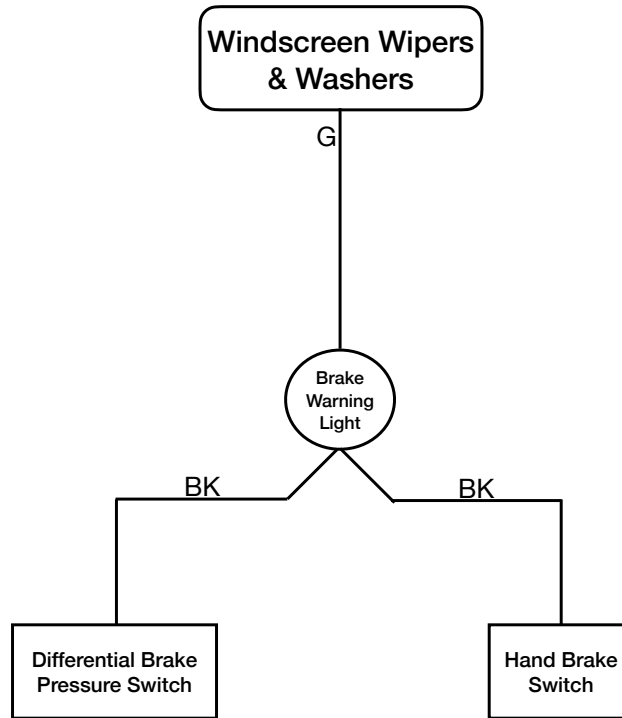
Brake
Warning
Light

BK

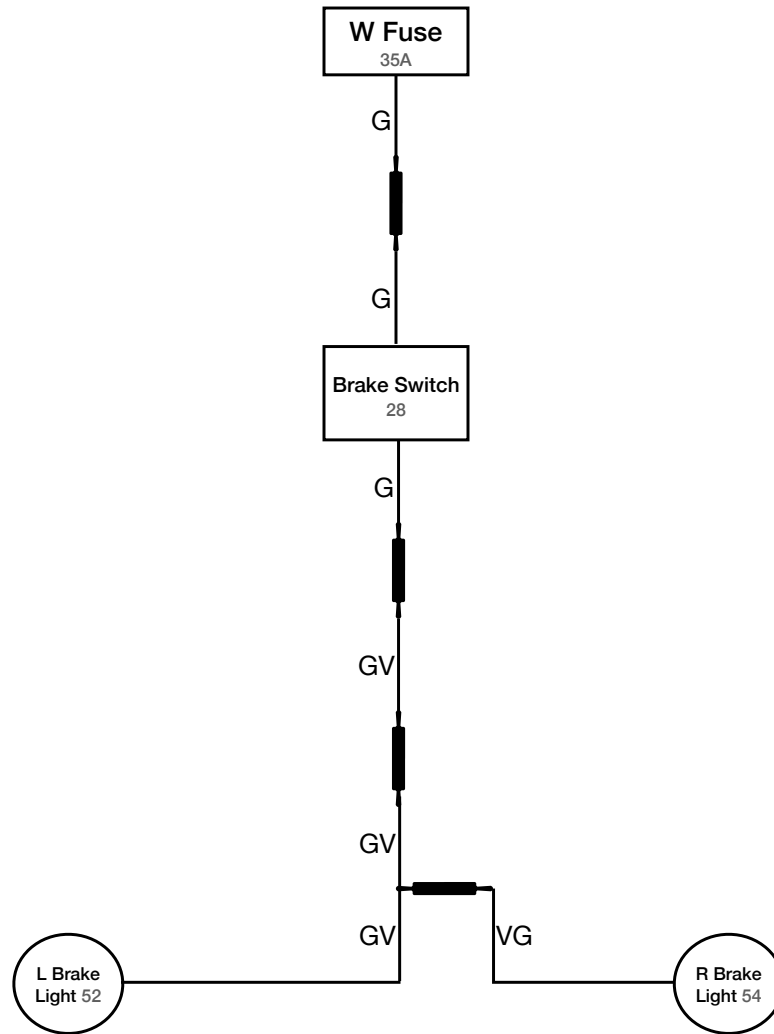
BK

Differential Brake
Pressure Switch

Hand Brake
Switch



Brake Lights



Reverse Lights

W Fuse
35A

G

G

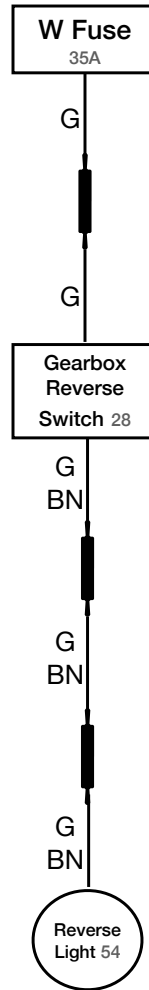
Gearbox
Reverse
Switch 28

G
BN

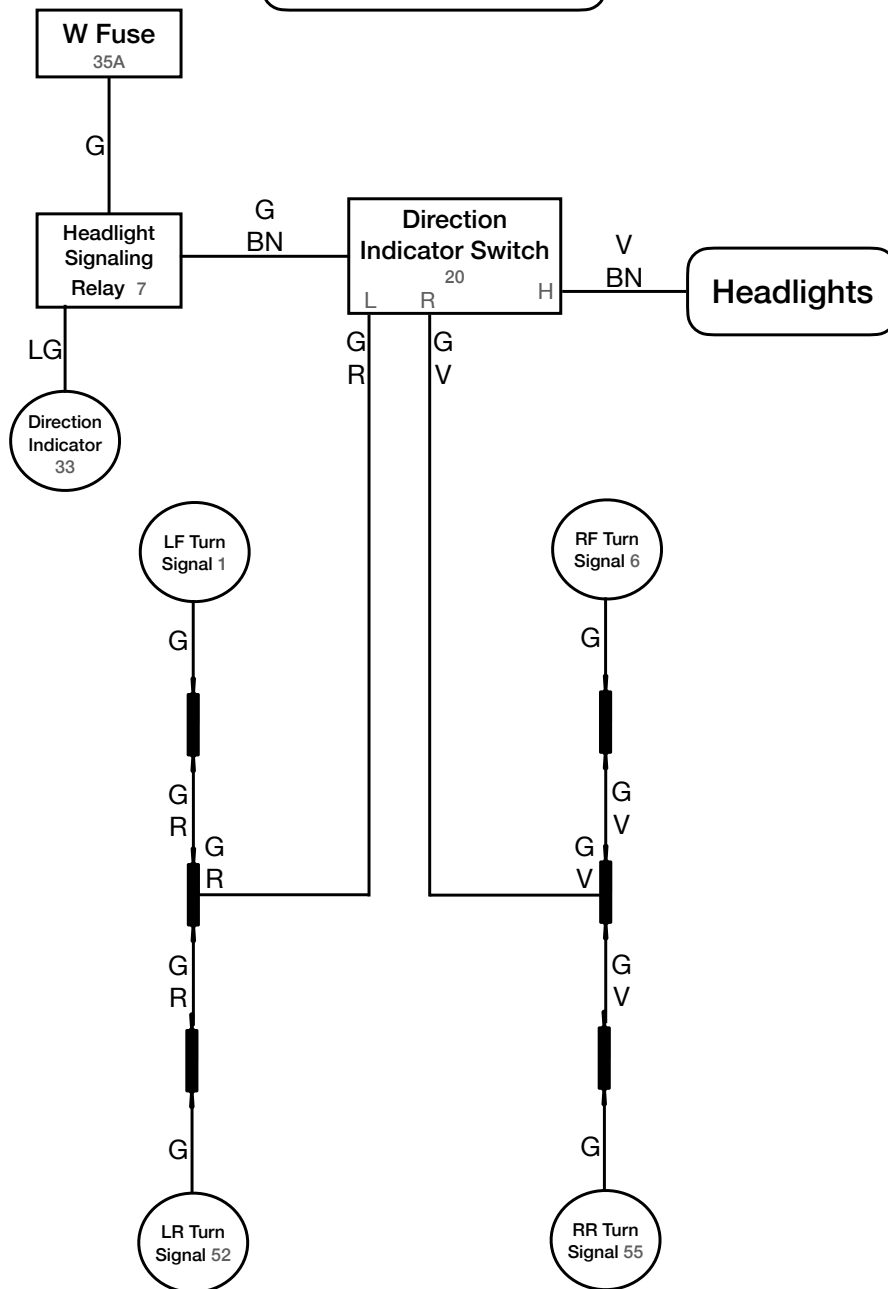
G
BN

G
BN

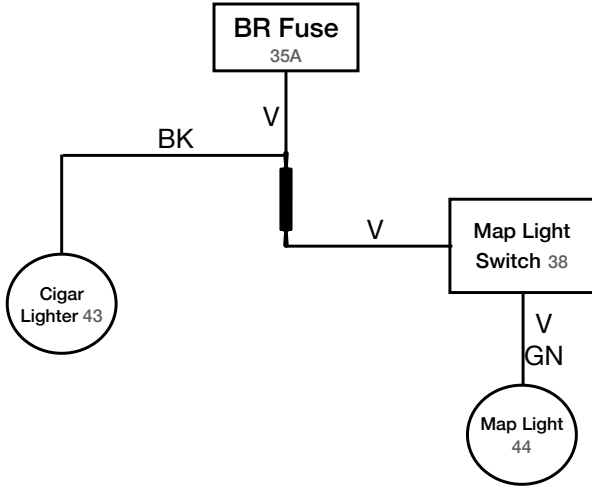
Reverse
Light 54



Turn Signals



Cigar Lighter Map Light



Roof Lamps

