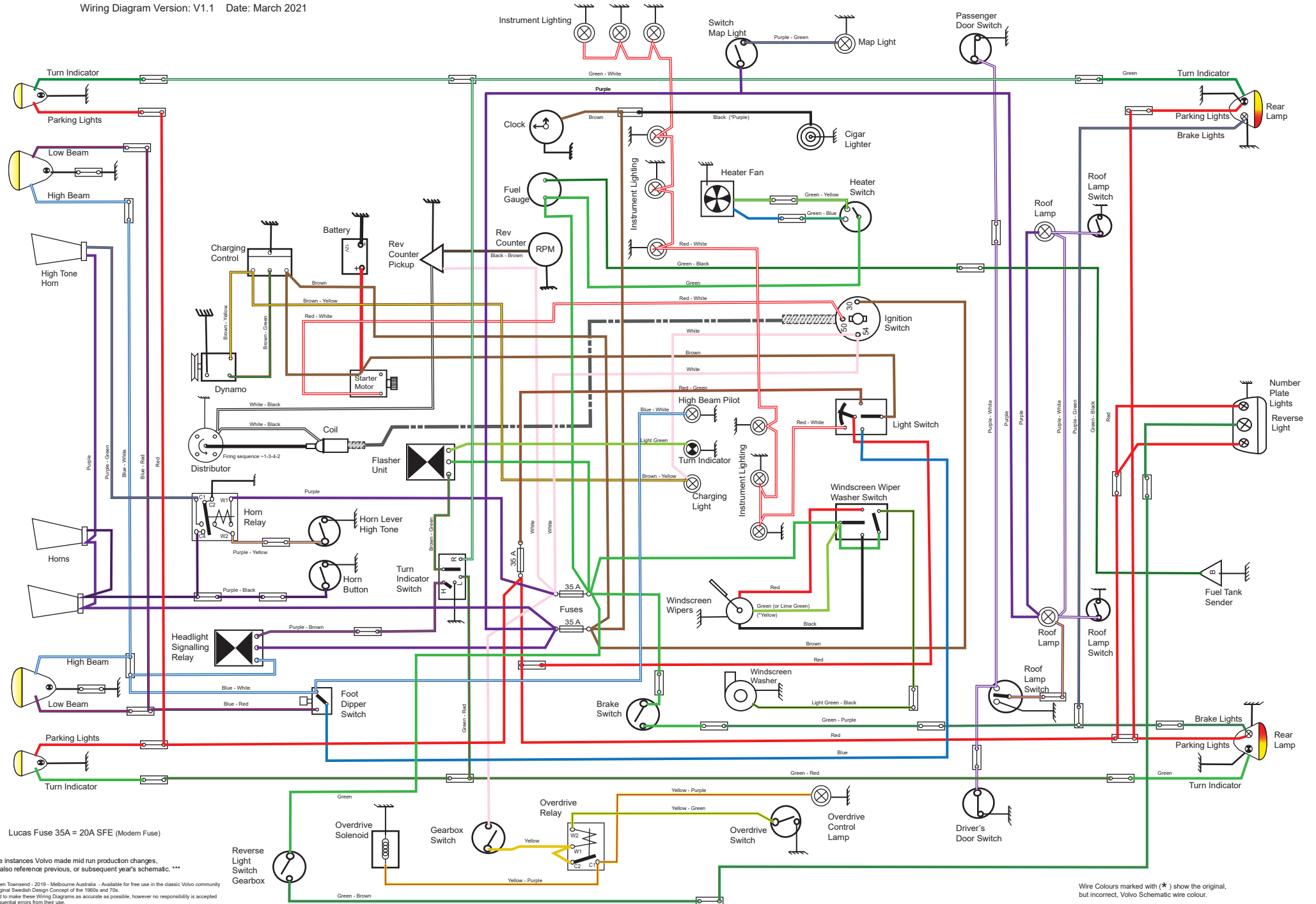


Volvo 1800S 1963 Wiring Diagram - (Chassis # 6001 to # 8000) Model VB/HB

Wiring Diagram Version: V1.1 Date: March 2021



Lucas Fuse 35A = 20A SFE (Modern Fuse)

*** In some instances Volvo made mid run production changes, please also reference previous, or subsequent year's schematic. ***
 Artwork by Warren Townsend - 2019 - Melbourne Australia - Available for free use in the classic Volvo community based on an original Swedish Design Concept of the 1960s and 70s.
 I have attempted to make these Wiring Diagrams as accurate as possible, however no responsibility is accepted for any consequential errors from their use.

Wire Colours marked with (*) show the original, but incorrect, Volvo Schematic wire colour.