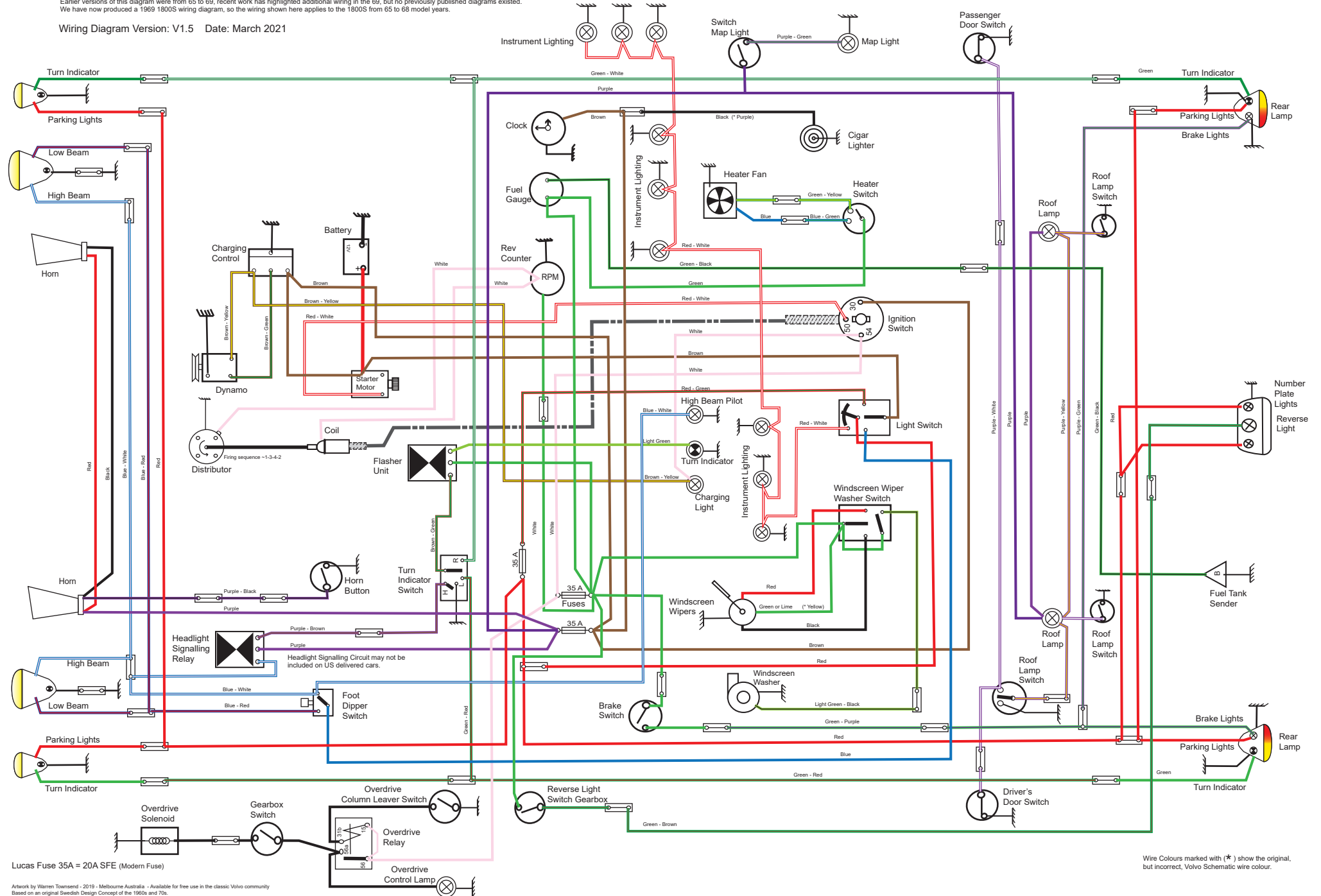


Volvo 1800S 1965 - 1968 Wiring Diagram - (Chassis # 12500 to 28300) Models VE/HE, VF/HF, M, P.

Earlier versions of this diagram were from 65 to 69, recent work has highlighted additional wiring in the 69, but no previously published diagrams existed. We have now produced a 1969 1800S wiring diagram, so the wiring shown here applies to the 1800S from 65 to 68 model years.

Wiring Diagram Version: V1.5 Date: March 2021



Lucas Fuse 35A = 20A SFE (Modern Fuse)

Wire Colours marked with (*) show the original, but incorrect, Volvo Schematic wire colour.

Artwork by Warren Townsend - 2019 - Melbourne Australia - Available for free use in the classic Volvo community. Based on an original Swedish Design Concept of the 1960s and 70s.

I have attempted to make these Wiring Diagrams as accurate as possible, however no responsibility is accepted for any consequential errors from their use.

*** In some instances Volvo made mid run production changes, please also reference previous, or subsequent year's schematic. ***