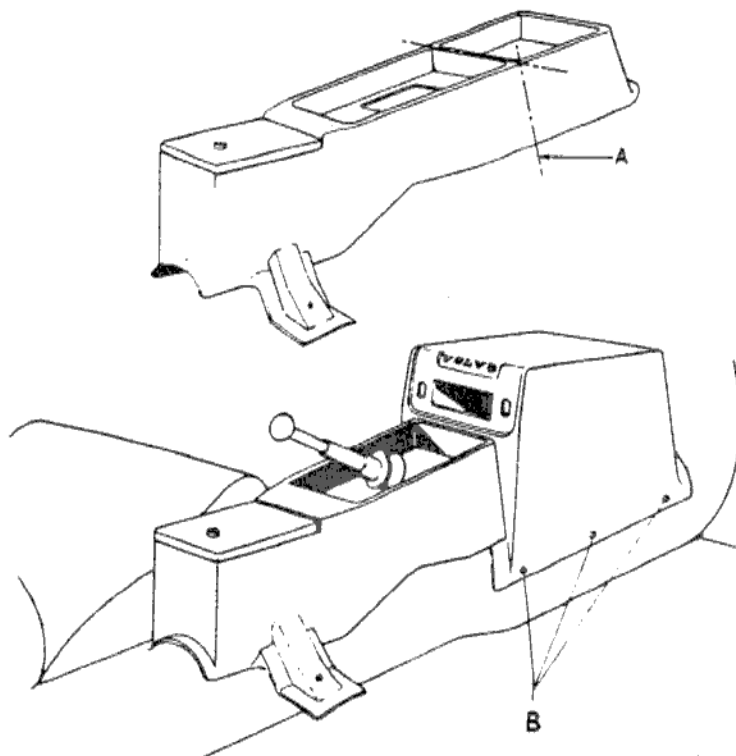




Installation instructions for casing for radio and stereo unit in Volvo 1800. Kit No. 282022

Mount the casing on the transmission tunnel as follows:

1. Undo the four screws securing the tunnel console and remove the console from the vehicle.
2. Saw off the front section of the console by sawing along the marking (A in Fig.) on the inside of the console with a hacksaw.
3. Place the casing and the rear section of the console on the transmission tunnel. Secure the console to the tunnel with the two rear screws.
4. Fit the casing neatly to the console and tunnel. Mark out the holes for the casing (B in Fig.).
5. Drill a 3.5 mm (9/64) hole through the carpet and plating of the transmission tunnel.
6. Screw down the casing with the plate screws supplied with the kit.



VOLVO  
880307